

L V U N D E R G R O U N D



L V U N D E R G R O U N D



SECTION	PAGE
<b>WATERPROOF PIERCING CONNECTORS</b>	
MUCI Series Waterproof Piercing Connectors	01
Piranha Series Parallel Splice Waterproof Piercing Connectors	02
Piranha Series In-line Splice Waterproof Piercing Connectors	03
Piranha Series Multi-port Waterproof Piercing Connectors	04
<b>UNDERGROUND CONNECTORS &amp; JOINTS</b>	
Underground Service Piercing Connectors	05
Submersible In-Line Fuse	06
Bolted Ferrules & Branch Connectors	07
LVM Series Branch Connectors	08
Shear Bolt URD Pillar Connectors	09
MF Series Connectors	10
UM Series Bolted Links	11
WB Series Bolted Branch Connectors	12
UM..S & WM..S Series Service/Neutral Connectors	13
NE & NET Series Mechanical Earth Connectors	14
ME & MET Series Mechanical Earth Connectors	15
Jointing Shells	16

UNDERGROUND



## PIRANHA - MUCI SERIES



MUCI4/650



MUCI3/650



MUCI2/650



MUCI/H



MUCIBOLTYELLOW 13-17



Multi-tap insulation piercing connectors for underground connection of two, three or four insulated cables.

## PIRANHA™ SERIES WATERPROOF PIERCING CONNECTORS

### APPLICATION

For the waterproof, underground connection of 2, 3 or 4 conductors. Suitable for copper or aluminium insulated cables, single or double insulated from 6 to 50 sq mm. Ideal for connecting cables in pillar boxes, buried connection pits and streetlight columns.

### FEATURES

- + waterproof
- + torque controlling shear head bolts for correct contact pressure
- + no need to strip cable
- + flexible cable entry ports
- + fitted with push-on protective bolt caps

### TESTING SPECIFICATIONS

Contact Sicame for details.

Product Number	Number of Connection Ports	Conductor Size Range (mm <sup>2</sup> )	Bolt AF (mm)	Pack Size (pcs)
MUCI2/650	2	6 to 50	13	20
MUCI3/650	3	6 to 50	13	6
MUCI4/650	4	6 to 50	13	12
MUCIBOLTYELLOW 13-17	N/A	N/A	13	1
MUCI/H	Gripping handle for MUCI4/650 & MUCI2/650			

Recommended tool for all products: RPS13/17-6H or RPS13/17-6SH





**PIRANHA™ SERIES—PARALLEL SPLICE WATERPROOF, FULLY INSULATED PIERCING CONNECTOR**

**APPLICATION**

For the waterproof, underground or overhead connection of up to 2 cables either as a 'butt' type connection, or side by side parallel connection (see diagram). Ideal for:

- + connecting cables in pillar boxes
- + connections in underground pits
- + connections in streetlight columns
- + underground to overhead transitions (UGOH)
- + buried service connections

**CABLE TYPES\***

These versatile connectors will accommodate a large variety of cable types including;

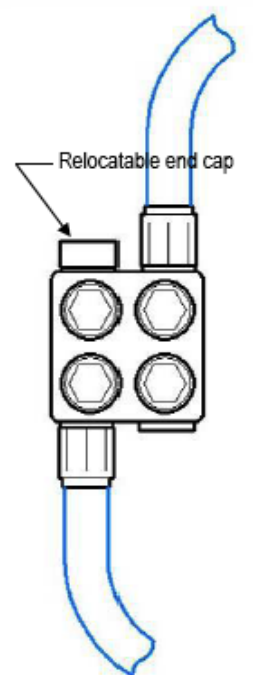
- + LVABC
- + XLPE or PVC insulated
- + single or double insulated
- + aluminium or copper
- + sector or circular
- + solid or stranded

**FEATURES**

- + waterproof
- + fully insulated, no exposed live components
- + torque controlling shear head bolts for correct contact pressure
- + no need to strip cable
- + no resins or heat shrink required
- + flexible sealing cable ports that are not affected by the angle of cable entry
- + fitted with push-on protective bolt caps
- + no need for crimp tools or dies

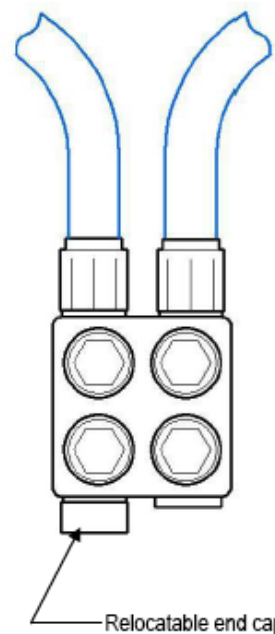
**TESTING SPECIFICATION**

Contact Sicame for details



PHM2 series connector configured as parallel splice

PHM2 series connector configured as butt connector.



Relocatable end cap

Product Number	Copper				Aluminium			
	Single Insulation		Double Insulation		Single Insulation		Double Insulation	
	Min	Max	Min	Max	Min	Max	Min	Max
PHM2-35-185	35	150	35	150	35	185	35	150

\*Cable types and ranges are nominal and indicative only. Suitability of cable type and size should be confirmed with Sicame prior to application.

## PIRANHA SERIES



PHS2-6-50



PHS2-35-185

### PIRANHA™ SERIES—IN-LINE SPLICE WATERPROOF, FULLY INSULATED PIERCING CONNECTOR

#### APPLICATION

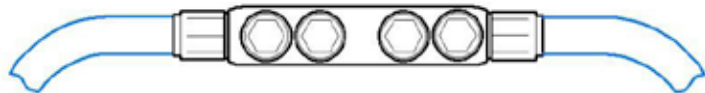
For the waterproof splicing or jointing of two cables.

#### CABLE TYPES\*

- This versatile connector accommodates a vast array of insulated cable types, sizes and constructions in any combination;
- + circular aluminium or copper
  - + stranded or solid
  - + single or double insulated
  - + LVABC

#### FEATURES

- + waterproof to IP67 equivalent
- + fully insulated. No exposed live components
- + centre barrier for positive cable core positioning
- + torque controlling shear head bolts for correct contact pressure
- + insulation piercing on both sides of the connector
- + no need to strip cable
- + no resins or heat shrink required
- + flexible sealing cable ports that are not affected by the angle of cable entry
- + fitted with push-on protective bolt caps



PHS2 series connector in-line splice configuration.

#### TESTING SPECIFICATIONS

Contact Sicame for details

Product Number	Copper				Aluminium			
	Single Insulation		Double Insulation		Single Insulation		Double Insulation	
	Min	Max	Min	Max	Min	Max	Min	Max
PHS2-6-50	6	50	6	50	6	50	6	50
PHS2-35-185	35	150	35	150	35	150	35	150

\*Cable types and ranges are nominal and indicative only. Suitability of cable type and size should be confirmed with Sicame prior to application.



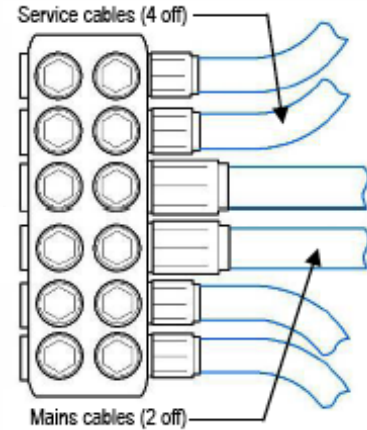
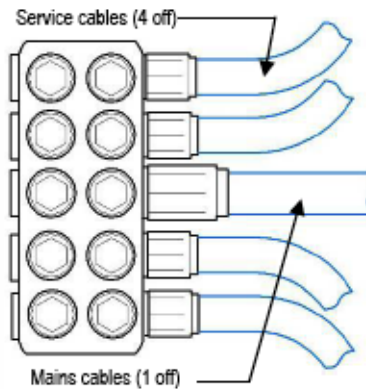
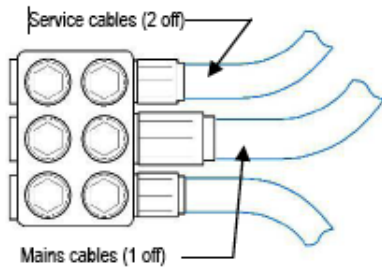
PHM3



PHM5



PHM6



**PIRANHA™ SERIES—MULTI-PORT WATERPROOF, FULLY INSULATED PIERCING CONNECTOR**

**APPLICATION**

- For the waterproof, underground or overhead connection of up to 6 cables. Ideal for:
- + connecting cables in pillar boxes
  - + connections in underground pits
  - + connections in streetlight columns.
  - + underground to overhead transitions (UGOH)
  - + buried service connections
  - + almost any 'wet' environment

**CABLE TYPES\***

- These versatile connectors will accommodate a large variety of cable types including;
- + LVABC
  - + XLPE or PVC insulated
  - + single or double insulated
  - + circular aluminium or copper
  - + solid or stranded



**FEATURES**

- + waterproof to IP67 equivalent
- + fully insulated. No exposed live components
- + torque controlling shear head bolts for correct contact pressure
- + no need to strip cable
- + no resins or heat shrink required
- + flexible sealing cable ports that are not affected by the angle of cable entry
- + fitted with push-on protective bolt caps

**TESTING SPECIFICATION**

Contact Sicame for details

Product Number		Copper				Aluminium			
		Single Insulation		Double Insulation		Single Insulation		Double Insulation	
		Min	Max	Min	Max	Min	Max	Min	Max
PHM3-16-185	Main	35	150	35	150	35	185	35	150
	Service	16	95	16	95	16	120	16	95
PHM5-16-185	Main	35	150	35	150	35	185	35	150
	Service	16	95	16	95	16	120	16	95
PHM6-16-185	Main	35	150	35	150	35	185	35	150
	Service	16	95	16	95	16	120	16	95

\*Cable types and ranges are nominal and indicative only. Suitability of cable type and size should be confirmed with Sicame prior to application.





MSD 300/50



MSD2 300/50



### MSD SERIES UNDERGROUND SERVICE PIERCING CONNECTORS FOR LIVE JOINTING UNDER LOAD

#### APPLICATION

For the connection of service cables to sector shaped mains cables. No exposed live components and insulation piercing on the mains connection means the MSD series connector offers a reliable method for jointing live with the ability to pick up service load.

Designed for use in cast resin type joints but may also be used in other non-encapsulated applications in dry environments.

#### CABLE TYPES\*

##### Mains Cables:

- + aluminium 120° 3 core or 90° 4 core sector shaped
- + stranded or solid.
- + PVC or oil impregnated paper insulated.

##### Service Cables:

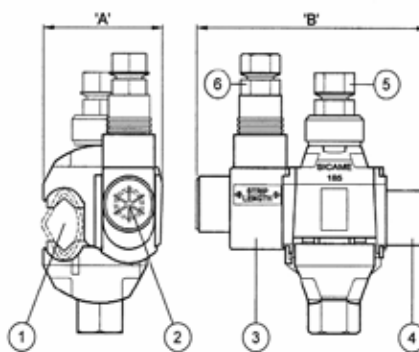
- + circular stranded aluminium or copper
- + circular solid aluminium

#### FEATURES

- + no exposed live components
- + shear head bolts for torque and contact pressure control
- + may be used live and under load
- + no need to strip mains cable cores
- + inherently safe method of jointing
- + range taking
- + no special tooling required.

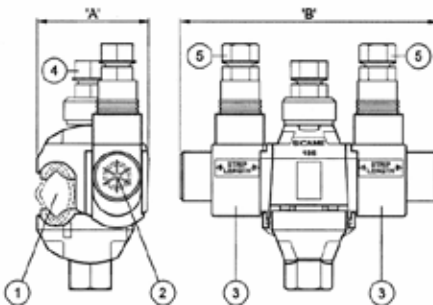
#### APPLICATION NOTES

Use only a 13mm AF six sided socket to tighten the contact bolts. **\*\*Live cable jointing must only be carried out by suitably qualified and trained personnel. All industry live jointing work practices must be observed\*\***



#### Key to illustration:

1. Mains conductor position
2. Service conductor position
3. Service connection port
4. Service conductor end cap
5. Double headed shear cap (mains)
6. Double headed shear cap (service)



#### Key to illustration:

1. Mains conductor position
2. Service conductor position
3. Service connection port cap
4. Double headed shear cap (mains)
5. Double headed shear cap (service)

Product Number	Number of Service Take-offs	Mains Cable Range (mm <sup>2</sup> )	Service Cable Range (mm <sup>2</sup> )	Dimensions (mm) A x B
MSD 185/50	1	70 to 185	4 to 50	46 x 89
MSD 300/50	1	185 to 300	4 to 50	52 x 88
MSD2 185/50	2	70 to 185	4 to 50	46 x 106
MSD2 300/50	2	185 to 300	4 to 50	52 x 105

#### Recommended Tooling

For live jointing, we recommend the following tools;  
Product Number: MO-69513 1000V Insulated 3/8" drive reversible ratchet driver.



Product Number: MO-69313  
1000V Insulated 13mm AF socket.





**SILF™ - SUBMERSIBLE IN-LINE FUSE**

**APPLICATION**

- The SILF™ can be used in:
- + Street lighting on columns and poles
  - + Underground pits and pillars in distribution systems for units, town houses or factory complexes
  - + On poles for service lines
  - + At pumps and water reticulation systems.

**FEATURES**

- + Insulated contact bolts with shear-heads for torque control
- + Bolts may also be removed to disconnect the fuse holder
- + Accommodates a wide range of cable sizes, clearly marked on the side
- + Amp rating permanently marked on the fuse holder body
- + Tinned brass tunnel connection chamber
- + Totally sealed against moisture and water
- + Hermetically sealed chamber for fuse cartridge
- + Cable strip length clearly marked on the side
- + Advanced and proven cable entry seal prevents water ingress
- + Inexpensive and cost effective
- + Each carton packaged with reusable application tool
- + Over moulding is UV stabilised
- + Easily identified as a fuse. Permanently marked in moulding.



The SILF™ fuse is clearly and permanently marked, in large bold lettering moulded onto the body.



AMP Rating clearly and permanently identified on the body.



**FEATURES**

**Fuse Cartridge**

- + 415V, 80kA high rupture capacity (HRC) fuse in accordance with IEC 60269

**Complete Unit**

- + Temperature rise and non deterioration of contacts tests to AS/NZS 60269
- + Water proofing test to ANSI C119.1
- + 960 deg C glow wire test certified

**INSTALLATION NOTES**

For tightening of the shear-head bolts, use the plastic spanner included. See below.

PRODUCT NUMBER	FUSE SIZE	CONDUCTOR SIZE
SILF 6	6 amp	1.5 mm <sup>2</sup> to 16 mm <sup>2</sup>
SILF 8	8 amp	1.5 mm <sup>2</sup> to 16 mm <sup>2</sup>
SILF 10	10 amp	1.5 mm <sup>2</sup> to 16 mm <sup>2</sup>
SILF 16	16 amp	1.5 mm <sup>2</sup> to 16 mm <sup>2</sup>
SILF 20	20 amp	1.5 mm <sup>2</sup> to 16 mm <sup>2</sup>
SILF 32	32 amp	1.5 mm <sup>2</sup> to 16 mm <sup>2</sup>

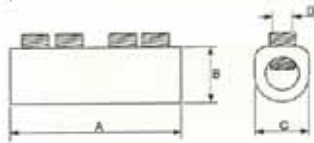
Recommended tool for all products: Plastic spanner included with SILFs.



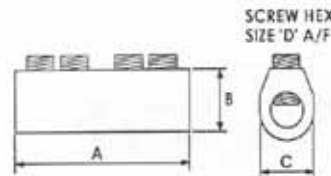
## BOLTED CONNECTORS



Type 1



Type 2



Product Number	Type	Stranded Circular Conductor Size Range (mm <sup>2</sup> )	Dimensions (mm) A x B x C	Hex Key AF (mm)
Connectors without centre barrier				
MF4/1	1	6* to 35	35x14x11.7	3
MF4/2	1	16 to 50	45x17x16	3
MF4/5	2	6* to 35	35x19x11.7	3
MF4/7	2	16 to 50	45x22x17	3
Connectors with centre barrier				
MF4/3	1	6* to 35	44x14x11.7	3
MF4/4	1	16 to 50	55x17x16	3
MF4/6	2	6* to 35	44x19x11.7	3
MF4/8	2	16 to 50	55x22x17	3

\*Conductor sizes of 6mm<sup>2</sup> and below should be doubled and re-doubled, where necessary to achieve a satisfactory cross sectional area. Conductor range is applicable to either side of the connector, in any combination.

All connectors are manufactured from brass.

Consult factory for application range on other conductor types.

**Installation:**

- Strip the core insulation equal to half the connector length + 3mm
- Thoroughly abraid all conductors to be joined
- Align cores within connector and tighten screws on each side alternately until tight.

## MF4 SERIES MECHANICAL FERRULE

### APPLICATION

General purpose mechanical ferrule for smaller copper conductors. Type 1 connectors are ideal for resin filled joints. Type 2 have been designed specifically for heat shrink type joints, but will equally suit resin joints. Available with or without a centre water blocking barrier.

### CONDUCTOR TYPE

A wide range of conductor including solid or stranded, circular or sector shaped conductors in the ranges indicated.



## BST/A SERIES

### APPLICATION

Branch connections to mains cables

### CONDUCTOR TYPE

3 or 4 core solid sector aluminium

Hexagonal head screw available as an option. Add suffix 'H' to product number. Eg, **BST/A3H**

Branch Conductor or Size (mm <sup>2</sup> )	Mains conductor size (mm <sup>2</sup> )						
	70	95	120	150	185	240	300
70	Yellow						
95		Yellow					
120			Yellow				
150				Blue	Blue		
185					Orange	Orange	Orange
240						Orange	Orange
300							Orange

**Product Numbers:**



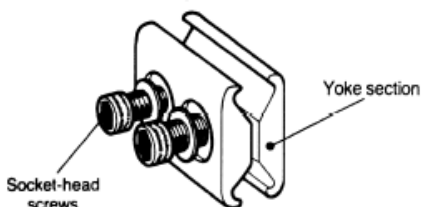
BSTA/1



All connectors

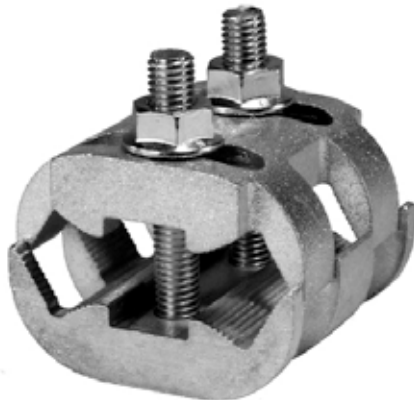


BST/A2, BST/A3



3/16 " AF hex drive required

The combinations in the table above are valid for conductors of the same sector shape, i.e. 4 core to 4 core, or 3 core to 3 core. Should mixed combinations be required, we suggest that verification of the products suitability be obtained prior to use. It may be found that with smaller conductor configurations the connector can accept the branch conductor with the apex facing inwards toward the main, but it is generally recommended that the conductors are set curve to curve to avoid any possible interference with the threads of the clamp screws. The BST/A3 connector has an increased range of application over the BSTA2 and is suitable for all conductor orientations. Conductors' orientation does not matter with the BST/A3.



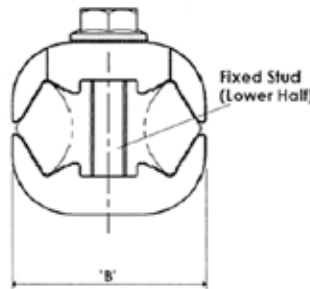
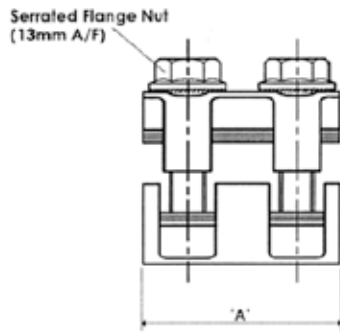
LVM3



LVM with shroud fitted



Typical Application



### LVM SERIES BRANCH CONNECTOR

#### APPLICATION

General purpose low voltage branch, service or straight connections.

#### CONDUCTOR TYPE

A wide range of conductor types including solid or stranded, circular or sector shaped, copper or aluminium, in any combination.

#### LIVE ON-LOAD JOINTING

The LVM range of connectors may be safely used to connect live cables on loads of up to 600 amps @ 240 volts. An optional insulating shroud is available to facilitate safe live jointing.

#### FEATURES

- + "+SHROUD" models include dip moulded plastic shrouds
- + Stainless steel fasteners
- + Ideal alternate to "C" crimps

Product Number	Conductor Size Range (mm <sup>2</sup> )	Overall Length (A) (mm)	Width (B) (mm)	Minimum Tightening Torque (Nm)
LVM3	16*—300	50	54	18
LVM1+SHROUD	16*—95	45	34	14
LVM2+SHROUD	16*—185	45	44	18
LVM3+SHROUD	16*—300	50	54	18

\*Conductor sizes of 16mm<sup>2</sup> and below should be doubled and re-doubled, where necessary to achieve a satisfactory cross sectional area. Conductor range is applicable to either side of the connector, in any combination.

All connectors are electro-tinned. Brass gauze is not necessary for copper conductors

#### PLEASE NOTE:

**\*\*Live cable jointing must only be carried out by suitably qualified and trained personnel. All industry live jointing work practices must be observed\*\***

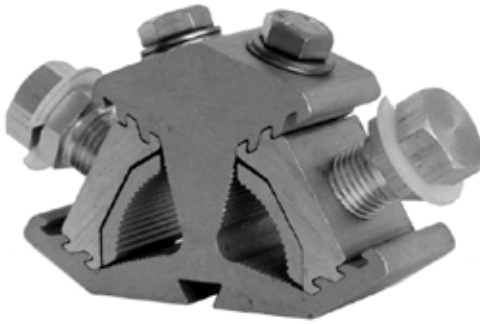
#### Recommended Tooling

For live jointing, we recommend the following tools;  
 Product Number: MO-69513 1000V Insulated 3/8" drive reversible ratchet driver.



Product Number: MO-69313  
 1000V Insulated 13mm AF socket.





BF-1A/SYD



TF-2A/SYD

### BF & TF SERIES BI-FORM AND TRIFORM MECHANICAL CONNECTORS

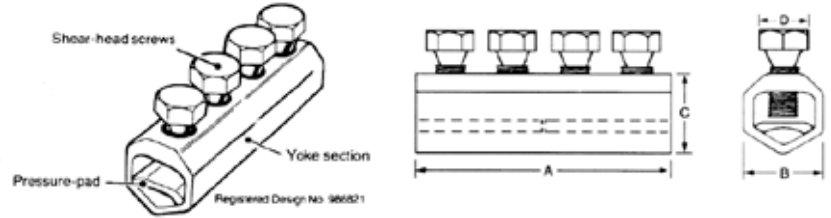
- + Accepts 185 and 240mm<sup>2</sup> 4 core solid or stranded aluminium sector cables to AS1125.
- + Accepts up to two 50mm<sup>2</sup> copper tap-off connections. (3 for TF-2A connector)
- + Available in "BI-FORM" or "TRI-FORM" form which allows either two sector cable connections (normal loop type pillar) or three connections (three way loop pillar).
- + Shear-head screw on main cable connections provide correct tightening of bolts and ensure trouble free operation.
- + No special tools needed for installation, just a spanner!
- + Compact dimensions allow standard protective covers to be used.
- + Fully tested to standard BS4579 "Specification for performance or mechanical and compression joints in electric cable and wire connectors" (2000 heat cycles).

Product Number	Connections		Main Cable Range	Maximum Tap Size	Service Tap Stud Size (mm)	Pack Size
	Mains	Tap				
BF-1A	2	2	120 solid Al. 120 stranded Al. 240 solid Al. 240 stranded Al.	2 x 50mm <sup>2</sup> Cu.	6	20
BF-1A/SYD	2	2	120 solid Al. 120 stranded Al. 240 solid Al. 240 stranded Al.	2 x 50mm <sup>2</sup> Cu.	6	20
TF-2A	3	3	120 solid Al. 120 stranded Al. 240 solid Al. 240 stranded Al.	3 x 50mm <sup>2</sup> Cu.	6	20
TF-2A/SYD	3	3	120 solid Al. 120 stranded Al. 240 solid Al. 240 stranded Al.	3 x 50mm <sup>2</sup> Cu.	6	20

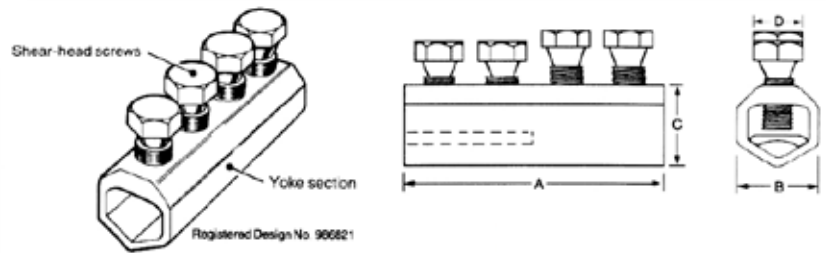
SHEAR BOLT STRAIGHT CONNECTORS



MF1 TYPE CONNECTOR



MF3 TYPE CONNECTOR



MF SERIES

APPLICATION

Straight through joint for 3 or 4 core sectorshaped solid or stranded aluminium, andstranded copper conductors.

FEATURES

- + All connectors feature a shear head bolt for bolting torque control.
- + Pressure pads are included for stranded conductor connectors.
- + MF1 and MF3 types are supplied with brass gauze for connection of copper conductors.
- + When connecting copper conductor, the brass gauze supplied with connector should be wrapped around the copper conductor prior to bolting.
- + MF3 type connectors include pressure pad for stranded side only.
- + Packed individually in sealed plastic bags.

Product Number	Conductor Size Range (mm <sup>2</sup> )	Overall Length (A) (mm)	Width (B) x Height (C) (mm)	Hex Head AF (mm)	Pack Size
<b>Connectors for joining STRANDED sector to STRANDED sector shaped conductors</b>					
MF1/1	50-95	80	25x25	13	1
MF1/2	95-185	100	34x33	17	1
MF1/3	185-300	120	40x41	17	1
<b>Connectors for joining SOLID sector to SOLID sector shaped conductors</b>					
MF2/1*	50-95	80	25x25	13	1
MF2/2*	95-185	100	34x33	17	1
MF2/3*	185-300	120	40x41	17	1
<b>Connectors for joining STRANDED sector to SOLID sector shaped conductors, in either orientation</b>					
MF3/1	50-95	80	25x25	13	1
MF3/2	95-185	100	34x33	17	1
MF3/3	185-300	120	40x41	17	1

\* MF2 types not supplied with brass gauze

Recommended tool for all products: RPS13/17-6H or RPS13/17-6SH



## SHEAR BOLT STRAIGHT CONNECTORS



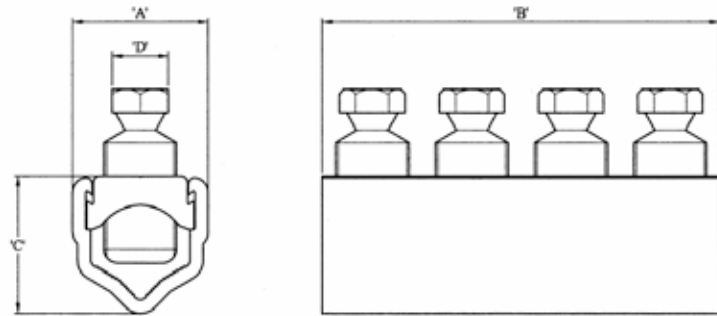
### UM & UM..XL SERIES SHEAR BOLT STRAIGHT CONNECTORS

#### APPLICATION

For the in-line connection of two low voltage power cables. Ideal for LV heat shrink or cast resin type joints.

#### CONDUCTOR TYPE

- This versatile connector accommodates a vast array of conductor types, sizes and constructions in any combination;
- + aluminium or copper
  - + stranded or solid
  - + Circular or sector shaped
  - + 120° 3 core or 90° 4 core shaped



#### FEATURES

- + All connectors feature a shear-head bolt for precision contact force control.
- + The removable bridge allows the easy mounting of conductors into the connector. Bending of cable cores is kept to an absolute minimum. Ideal for large conductors and restricted working spaces.
- + The unique and advanced contact bolt design does not require the use of pressure pads on stranded conductor.
- + Electro-tinned body and contact bolts enables the jointing of copper to copper or copper to aluminium conductors without the use of brass gauzes.
- + The advanced design of the connector body allows the connection of sector shaped cables with the sector apex either pointing away or towards the contact bolt, minimising the need to twist sector cable cores.

#### EXTENDED LENGTH (XL) SERIES

The extended length series (XL) connectors have an extra 20mm between inner bolt centres for added flexibility when jointing spiked conductors or repairing cable breaks.

Product Number	Conductor Size Range (mm <sup>2</sup> )	Overall Length (B) (mm)	Width (A) x Height (C) (mm)	Hex Head AF (mm)
UM95	25–95	86	26 x 24.5	13
UM95XL	25–95	106	26 x 24.5	13
UM185	35–185	108	35 x 33	17
UM185XL	35–185	128	35 x 33	17
UM300	70–300	120	41 x 40	17
UM300XL	70–300	140	41 x 40	17

The XL series connectors are 20mm longer than the standard range. Refer product description for application.

Packed individually in sealed plastic bags

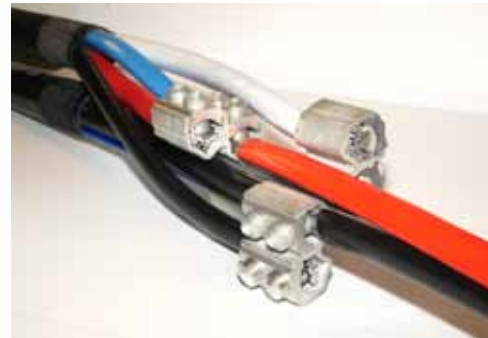
Recommended tool for all products:  
RPS13/17-6H or RPS13/17-6SH



Products also suitable for installation with battery powered impact drivers. Refer to section: TECHNICAL GUIDELINES & INFORMATION, page 02.



BOLTED BRANCH CONNECTORS



WB & WB...XL SERIES  
SHEAR BOLT BRANCH CONNECTORS

APPLICATION

Branch or tee connector for low voltage cable joints. Ideally suited for use in cast LV resin type joints.

CONDUCTOR TYPE

This versatile connector accommodates a vast array of conductor types, sizes and constructions in any combination;

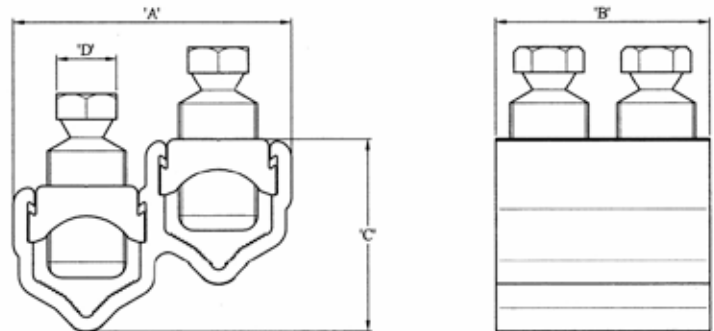
- + aluminium or copper
- + stranded or solid
- + Circular or sector shaped
- + 120° 3 core or 90° 4 core shaped

FEATURES

- + All connectors feature a shear-head bolt for precision contact force control.
- + The removable bridge allows the easy mounting of conductors into the connector. Bending of cable cores is kept to an absolute minimum. Ideal for large conductors and restricted working spaces.
- + The unique and advanced contact bolt design does not require the use of pressure pads on stranded conductor.
- + Electro-tinned body and contact bolts enables the jointing of copper to copper or copper to aluminium conductors without the use of brass gauzes.
- + The advanced design of the connector body allows the connection of sector shaped cables with the sector apex either pointing away or towards the contact bolt, minimising the need to twist sector cable cores.

EXTENDED LENGTH (XL) SERIES

The extended length series (XL) connectors are double the length (with 4 bolts for each side) for added flexibility when jointing spiked conductors or repairing cable breaks.



Product Number	Conductor Range Size (mm <sup>2</sup> )		Dimensions (mm) A x B x C	Bolt AF D (mm)
	Mains	Branch		
WB95	25-95	25-95	50 x 43 x 31.5	13
WB95XL	25-95	25-95	50 x 86 x 31.5	13
WB185	35-185	50-185	67 x 54 x 44	17
WB185XL	35-185	50-185	67 x 108 x 44	17
WB300	70-300	70-300	78 x 60 x 53	17
WB300XL	70-300	70-300	78 x 120 x 53	17

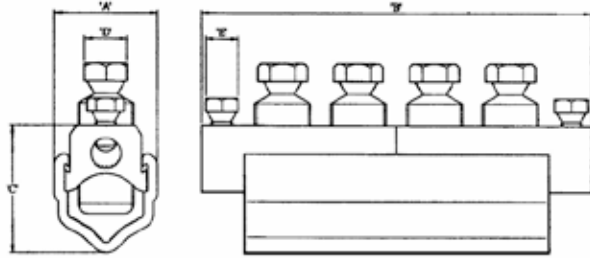
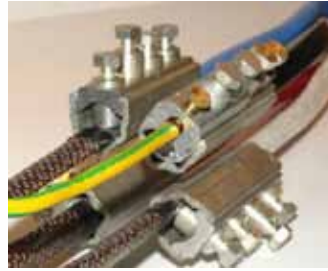
XL' connectors are double the length and have four bolts per side. See features description.

Recommended tool for all products:  
RPS13/17-6H or RPS13/17-6SH



Products also suitable for installation with battery powered impact drivers. Refer to section: TECHNICAL GUIDELINES & INFORMATION, page 02.





### UM../S SERIES

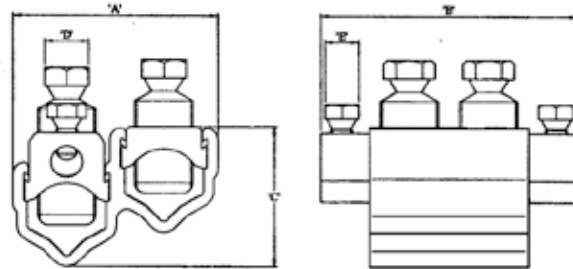
#### APPLICATION

For LV mains branch jointing with services. Can also be used for neutral connections on 3 core wave form to 4 core sector joints.

Refer to UM series connectors for details of conductor types.

+ Dip moulded insulating shrouds available

Product Number	Mains Conductor Size Range (mm <sup>2</sup> )	Service Conductor Size Range (mm <sup>2</sup> )	Width (A) x Length (B) x Height (C) (mm)	Hex Head AF (mm)	
				D	E
UM95/S	25–95	10–70	26x122x36.5	13	13
UM185/S	35–185	10–70	35x144x44.5	17	13
UM300/S	70–300	10–70	41x158x51	17	13



### WB../S SERIES

#### APPLICATION

For LV mains branch jointing with services. Can also be used for neutral connections on 3 core wave form to 4 core sector joints.

Refer to WM series connectors for details of conductor types.

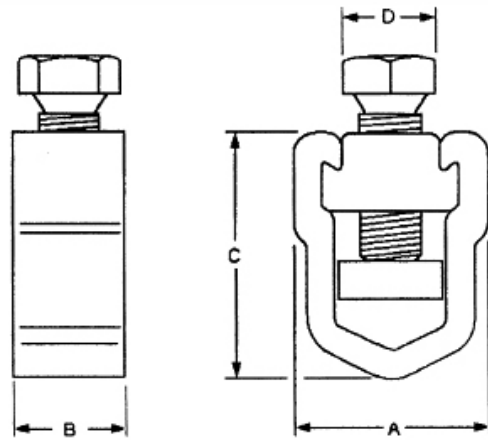
Product Number	Mains/Branch Conductor Size Range (mm <sup>2</sup> )	Service Conductor Size Range (mm <sup>2</sup> )	Width (A) x Length (B) x Height (C) (mm)	Hex Head AF (mm)	
				D	E
WB95/S	25–95	10–70	50x79x36.5	13	13
WB185/S	35–185	10–70	67x90x44.5	17	13
WB300/S	70–300	10–70	78x98x53	17	13

Recommended tool for all products:  
RPS13/17-6H or RPS13/17-6SH



Products also suitable for installation with battery powered impact drivers. Refer to section: TECHNICAL GUIDELINES & INFORMATION, page 02.

MECHANICAL EARTH CONNECTORS



**NE SERIES  
SERVIC / MAINS,  
NEUTRAL / EARTH CONNECTORS**

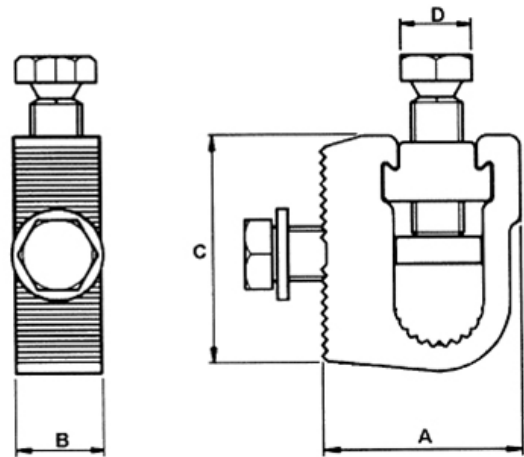
**APPLICATION**

The connection of stranded aluminium and copper neutral/earth (CNE) conductors. Designed to connect the stranded copper and stranded aluminium neutral earth conductors of CNE (waveform) service and mains distribution cables.

**MATERIAL**

Copper alloy

Product Number	Conductor Range Size (mm <sup>2</sup> )		Dimensions (mm)			
	Min	Max	A	B	C	D
NE13	25	150	28.5	16	36	13
NE15	40	240	28.5	16	46	13



**NET SERIES  
CONSAC TO WAVEFORM,  
NEUTRAL / EARTH CONNECTORS**

**APPLICATION**

The connection of consac cable (aluminium sheath) to waveform cable neutral earth wires. Suitable for either stranded copper or stranded aluminium neutral/earth conductors of CNE (waveform) cable.

**MATERIAL**

CZ121 Copper Alloy to BS2874

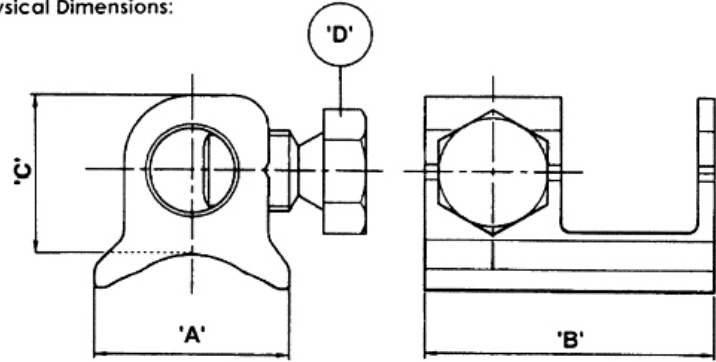
Product Number	Conductor Range Size (mm <sup>2</sup> )		Dimensions (mm)			
	Min	Max	A	B	C	D
NET/1	40	240	37	16	44	13

## MECHANICAL EARTH CONNECTORS

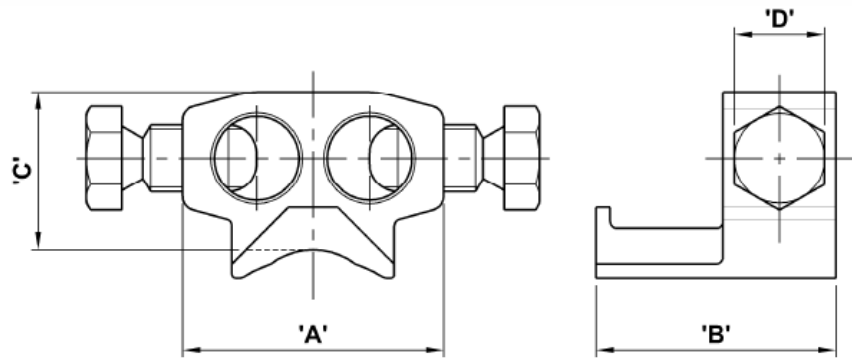


**ME SERIES**

Physical Dimensions:



**ME(T) SERIES**

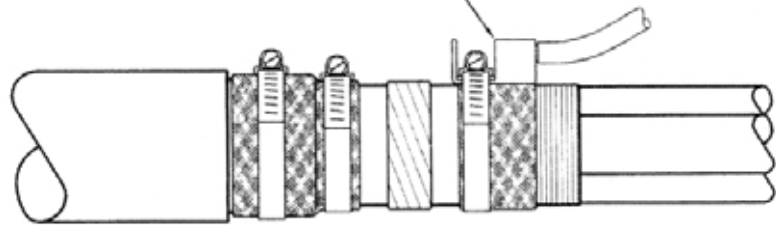


### ME & ME(T) SERIES EARTH CONNECTOR KIT

#### APPLICATION

Mechanical earth connection to 0.6/1kV impregnated paper insulated lead sheathed cable (PILC). The Hepworth ME range of kits provide the end user with a quick and reliable connection onto the lead sheath of a range of PILC cables. The profiled copper alloy saddle sits firmly on the lead sheath, using knitted wire tape as the interface with the assembly held firmly in place using a stainless steel worm drive clamp. The end user can position, cut to length and prepare the earth bond before the final torque controlled connection is made within the connector.

MECHANICAL EARTH BOND CONNECTOR



#### FEATURES

Copper Alloy  
(body/screw)

Product Number	Service/Mains Conductor Range Size (mm <sup>2</sup> )		Earth Bond Conductor Range (mm <sup>2</sup> )
	Min	Max	
ME185	150	185	10 - 70
ME400	150	400	10 - 70
ME(T)35	15	39	10 - 35
ME(T)120	26	129	10 - 70
ME(T)400	129	387	10 - 70

Product Number	Dimensions (mm)			
	A	B	C	D
ME185	32	34	19	13
ME400	32	34	19	13
ME(T)35	29	41.5	19	2 x 3mm grub screw
ME(T)120	37	34	26.5	13
ME(T)400	37	34	27.5	13



MST 14 SERIES



**JOINTING SHELLS**

**APPLICATION**

Encapsulation and protection of resin filled underground cable joints.

**FEATURES**

- + Direct buriable
- + Supplied complete with shell sealing kit
- + Will suit a wide range of cables and joint types
- + Manufactured from durable ABS plastic
- + Will suit both LV and MV applications
- + Over 50 designs to choose from

Please contact Sicame for details on the complete range of shell designs.

**TYPICAL EXAMPLES**

**MS10**  
Ø165 x 570



**MS12**  
Ø140 x 740



**MS13**  
Ø160 x 740



**MS14**  
Ø195 x 690



**MST15**  
Ø220 x 910

